

# 020P

## 020 RING LIGHT

O20 Ring light is built by Alu. extrusion fixture with Silicone lens. It's creating smooth and comfort lighting without spot.  
It can be combined with Acoustic PET Panels for the Lighting + Sound Management system.  
The light sourced are available up to 95+ Ra. Color temperature options from 2700K to 6500K, Dual white at WW+NW available. DMX dimmable available.

**Finish**  
Aluminum clear matt anodized  
White / Black powder coating  
Customized RAL color available

**Applications**  
Indoor - Resting Zone, Reception, etc.

### ORDERING INFORMATION

LUMINAIRE	FINISH	LENS	LENGTH	COLOR QUALITY <sup>1</sup>	COLOR TEMP <sup>2</sup>	CRI	INSTALL ACCS.	IP GRADE	CONTROL OPTOINS
O20	W White	D Diffuser	4 φ 450mm	3 3-Step MacAdam Ellipse	30 - 3000K	80 80+ CRI	P Pendant	22 IP22	D1 - DALI D2 - 0-10V D3 - On/off
	B Black		6 φ 600mm		40 - 4000K				
	S Silver		8 φ 800mm	5 5-Step MacAdam Ellips	60 - 6000K				
			10 φ 1000mm						
			12 φ 1200mm						
	15 φ 1500mm								

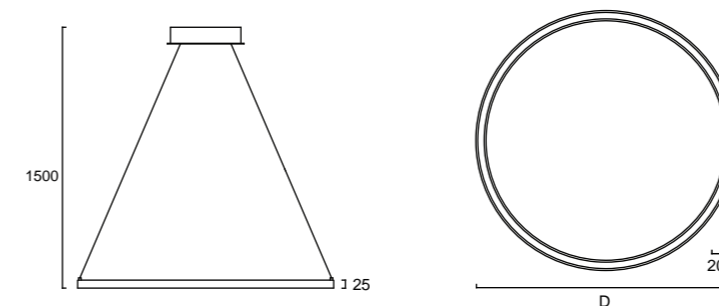
- Blueview's standard is 3-Step MacAdam
- The listed Color Temperature is only available in CRI80+ in Osram Chips. For more options, pls. check with your executive sales.

### SPECIFICATION

Model	O20-4	O20-6	O20-8	O20-10	O20-12	O20-15
Dimensions	φ 450×25mm	φ 600×25mm	φ 800×100mm	φ 1000×100mm	φ 1200×100mm	φ 1500×100mm
Wattage	25 W	35 W	40 W	50 W	60 W	72 W
Lumens	1532lm	2332lm	2515lm	3423lm	4022lm	4968lm
Voltage	90-265VAC					



### DIMENSIONS



Unit: mm